

Small induction heater TIH 030m

Small bearing heater with high heating capacity of up to 40 kg bearing

The new SKF small induction heater TIH 030m combines high heating capacity with portability. The compact lightweight design makes the TIH 030m portable. Placing the induction coil outside the heater's housing allows the heating of bearings weighing up to 40 kg (88 lb). The heater is equipped with thermal overheating protection to reduce the risk of damage to the induction coil and the electronics.

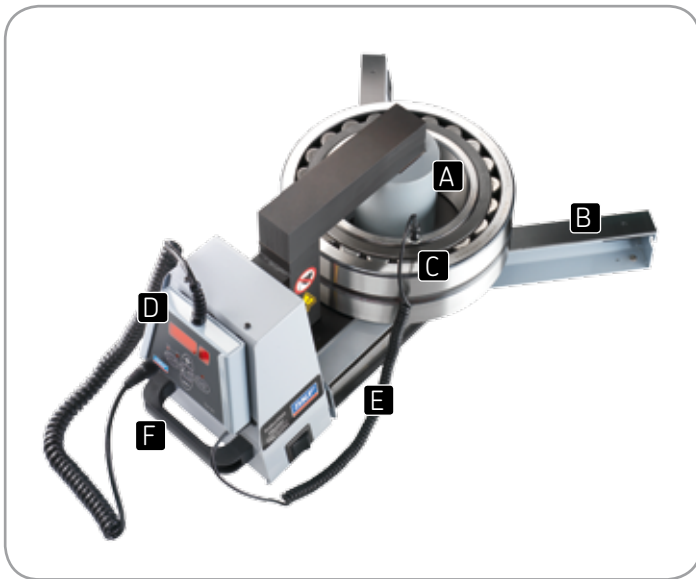
In addition to temperature mode, the TIH 030m is equipped with a time mode for heating components other than bearings. The heater is supplied standard with three yokes and is available in two executions: 230V/50–60Hz and 100–110V/50–60Hz.

SKF m₂₀ concept

"m₂₀" represents the weight (kg) of the heaviest SRB 231 bearing which can be heated from 20 to 110 °C (68 to 230 °F) in 20 minutes. This defines the heater's power output instead of its power consumption.

- Compact lightweight design; just 20,9 kg (46,0 lb) facilitating portability
- 2-step power setting and smaller yokes allow heating smaller bearings safely and at lower power consumption
- Capable of heating a 28 kg (61,7 lb) bearing in just 20 minutes
- Temperature mode pre-set at 110 °C (230 °F) to help prevent bearing over-heating
- Automatic demagnetisation
- 3 years warranty





- A Induction coil outside the heater's housing allows shorter heating time and lower energy consumption
- B Foldable bearing support arms facilitate the heating of larger diameter bearings
- C Magnetic temperature probe helps prevent bearing overheating
- D Easy-to-use control panel and LED display integrated in a remote control
- E Internal storage for all 3 yokes reduces the risk of yoke damage or loss
- F Integrated carrying handle facilitates portability

Technical data

Designation	TIH 030M
SKF m20 performance	28 kg (61,7 lb)
Voltage, V/Hz	230V/50 – 60Hz or 110V/50 – 60Hz
Work piece:	
– Maximum weight	40 kg (88 lb)
– Maximum bore diameter	20 – 300 mm (0,8 – 11,8 in)
Temperature control:	
– Range	0 – 250 °C (32 – 482 °F)
– Magnetic probe	Yes, K-type
– Accuracy (electronics)	± 2 °C (± 3,6 °F)
Time control:	
– Range	0 – 60 minutes
– Accuracy	± 0,01 sec.
Maximum temperature (approx.)	400 °C (750 °F)
Thermometer mode	Yes
Bearing mode	Yes
Power reduction	2-step; 50 – 100%
Demagnetisation according to SKF norms (automatic)	Yes (<2 A/cm)
Can heat sealed bearings	Yes
Can heat pre – greased bearings	Yes
Error guiding codes	Yes
Thermal overload protection	Yes
Maximum magnetic flux	1,7 T

Control panel	Key board with LED in remote control
Operating area (w × h)	100 × 135 mm (3,9 × 5,3 in)
Coil diameter	95 mm (3,7 in)
Dimensions (w × d × h)	450 × 195 × 210 mm (17,7 × 7,6 × 8,2 in)
Total weight, including yokes	20,9 kg (46 lb)
Maximum power consumption	2,0 kVA
Number of standard yokes	3
Standard yokes	45 × 45 × 215 mm (1,7 × 1,7 × 8,4 in), for heating bearings with bore diameter of 65 mm (2,6 in) and larger 28 × 28 × 215 mm (1,1 × 1,1 × 8,4 in), for heating bearings with bore diameter of 40 mm (1,6 in) and larger 14 × 14 × 215 mm (0,5 × 0,5 × 8,4 in), for heating bearings with bore diameter of 20 mm (0,8 in) and larger
Core cross section	45 × 45 mm (1,7 × 1,7 in)
Yoke storage	Yes, foldable
Sliding arm	No
Swivel arm	No
Cooling fan	No
Housing material	Steel and glass filled polyamide
Warranty period	3 years