

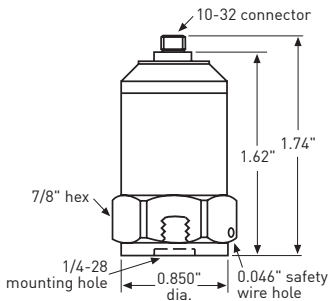


Model 376/CC701HT system Accelerometer/charge amplifier system



Features

- Industrial ruggedness
- Charge output
- Ground isolated
- 260°C operation



Model 376

Dynamic

Sensitivity, 25°C	100 mV/g, ±10%
Acceleration range.....	50 g
Amplitude linearity, to 50 g	1%
Frequency response:	
±10%	2 - 10,000 Hz
±3 dB	1 - 15,000 Hz
Resonance frequency	30 kHz
Transverse sensitivity	7% of axial
Temperature response:	
-50°C	-10%
+260°C	+20%

Electrical

Power requirement: voltage source	18 - 30 VDC
current regulating diode	2 - 10 mA
Electrical noise, equiv. g:	
Broadband	0.001 g peak
Output impedance	<100Ω
Bias output voltage	12 VDC
Grounding	case isolated

Environmental

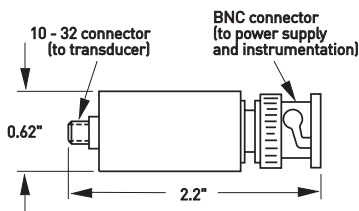
Temperature range:	
376	-50 to 260°C
CC701HT	-40 to 100°C
Vibration limit	500 g peak
Shock limit	5000 g peak
Base strain	0.002 g/μstrain

Physical

Sensing element design	PZT ceramic / compression
Weight:	
376	75 grams
CC701HT	40 grams
Case material	316L stainless steel
Mounting	1/4-28 tapped hole
Mating connector	BNC jack
Standard cabling ¹	R1-1-J3-12

Connector pin	Function
Shell	common
Pin	power / signal

Notes: ¹ Other cable lengths are available
 Accessories supplied: Calibration data (level 3)



Model CC701HT

Wilcoxon Research Inc
 20511 Seneca Meadows Parkway
 Germantown, MD 20876
 USA

Tel: 301 330 8811
 Fax: 301 330 8873
 Email: wilcoxon@meggitt.com

www.meggitt.com

MEGGITT
 smart engineering for
 extreme environments
 98603 Rev.A.2 5/07