

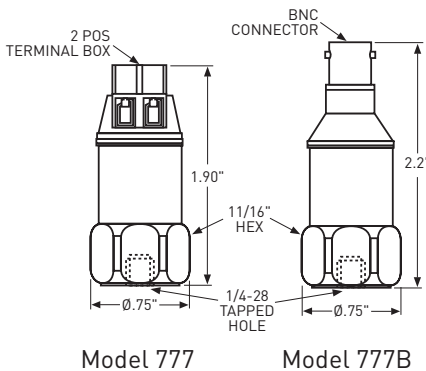


Wilcoxon Research models 777/777B General purpose accelerometers



Features

- Ground isolated
- ESD protection



Dynamic

Sensitivity, ± 10%, 25° C.....	100 mV/g
Acceleration range	80 g peak
Amplitude nonlinearity.....	1%
Frequency response ± 3 dB	0.5 - 12,000 Hz
Resonance frequency.....	30 kHz
Transverse sensitivity, max.....	5% of axial
Temperature response:	
-50° C.....	-10%
+85° C.....	+5%

Electrical

Power requirement:	
Voltage source	18 - 30 VDC
Current regulating diode	2 - 10 mA
Electrical noise, equiv. g:	
Broadband 2.5 Hz to 25 kHz	700 µg
Spectral	
10 Hz	10 µg/√Hz
100 Hz	5 µg/√Hz
1000 Hz	5 µg/√Hz
Output impedance, max	100 Ω
Bias output voltage	12 VDC
Grounding	case isolated (>10 ⁸ Ω at 100V), internally shielded

Environmental

Temperature range	-50 to 85° C
Vibration limit	500 g
Shock limit, min	5,000 g
Electromagnetic sensitivity, equiv. g, max	70 µg/gauss
Sealing.....	IP66
Base strain sensitivity, max	0.0005 g/µstrain

Physical

Sensing element design.....	PZT, shear
Weight.....	75 g
Case material.....	stainless steel
Mounting	1/4-28 UNF tapped hole
Output connector	see table
Mating connector	see table
Recommended cabling	J10

Connections

Model	Connector	Power/Signal	Common	Mating connector
777	2 position terminal block	+	-	N/A
777B	BNC coaxial	center contact	shell	R2

Accessories supplied: SF6 1/4-28 mounting stud; protective vinyl boot (777 only)

Accessories available: SF6M 1/4-28 to M8 adapting stud

Meggitt Sensing Systems
20511 Seneca Meadows Parkway
Germantown MD 20876
USA

Tel: 301 330 8811
Fax: 301 330 8873
Email: wilcoxon@meggitt.com

www.wilcoxon.com
www.meggitt.com

MEGGITT
smart engineering for
extreme environments
98159 Rev.B.4 12/07