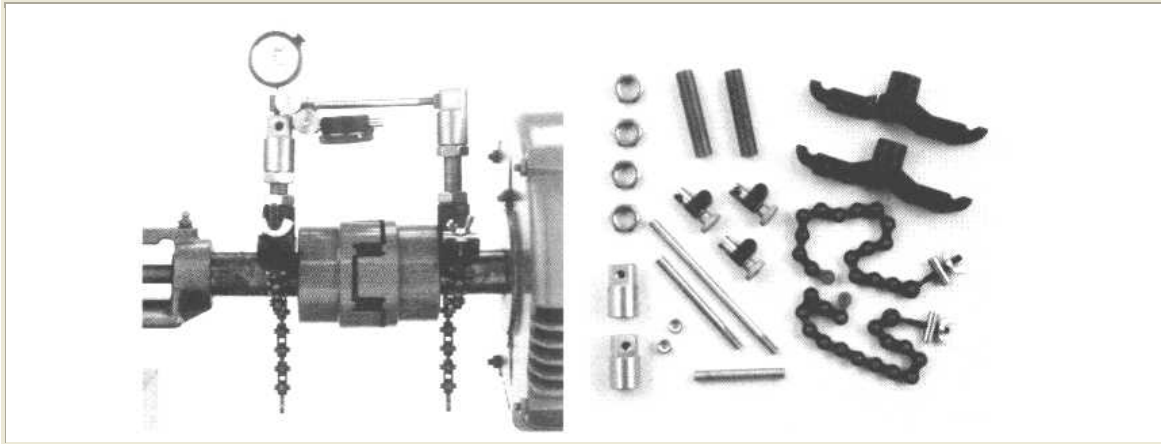




"Your Direct source for Plant Maintenance, Reliability, Test & Measurement"

2911 S. Shore Blvd., Suite 170 League City, TX USA 77573 Tel: 281.957.9283 Fax: 281.334.4255



Shaft to Shaft Starter Kit, SK-2

This kit takes readings shaft to shaft across the coupling, using the same method one and two approach of the full REACT System. With the SK-2, there is no need to break the coupling. The kit contains all needed mounting hardware, with dial indicator clamps, two different length support rods, and a case.

SK-2 Shaft to Shaft Starter Kit

A basic stainless steel hardware set for taking readings from shaft to shaft, over the coupling. Contains the following:

Part #	Quantity	Description
RA - 6	2	6" wide bracket base
CH - 10	2	10" long bracket base chain
RC - 3	4	5/8" jam nuts
RC - 4	2	1/4" jam nuts
RD - 2	2	5/8" threaded rod
RD - 5	2	Target post/Rod holder
MC - 1	3	Indicator clamps
RG - 3	1	3" adapter rod, 3/8" to 5/16" diameter, Plain
RG - 4	1	4" indicator rod, 5/16" diameter, Threaded
RG - 6	1	6" indicator rod, 5/16" diameter, Threaded

Reliability Direct, Inc.

www.reliabilitydirectstore.com, www.extech-direct.com